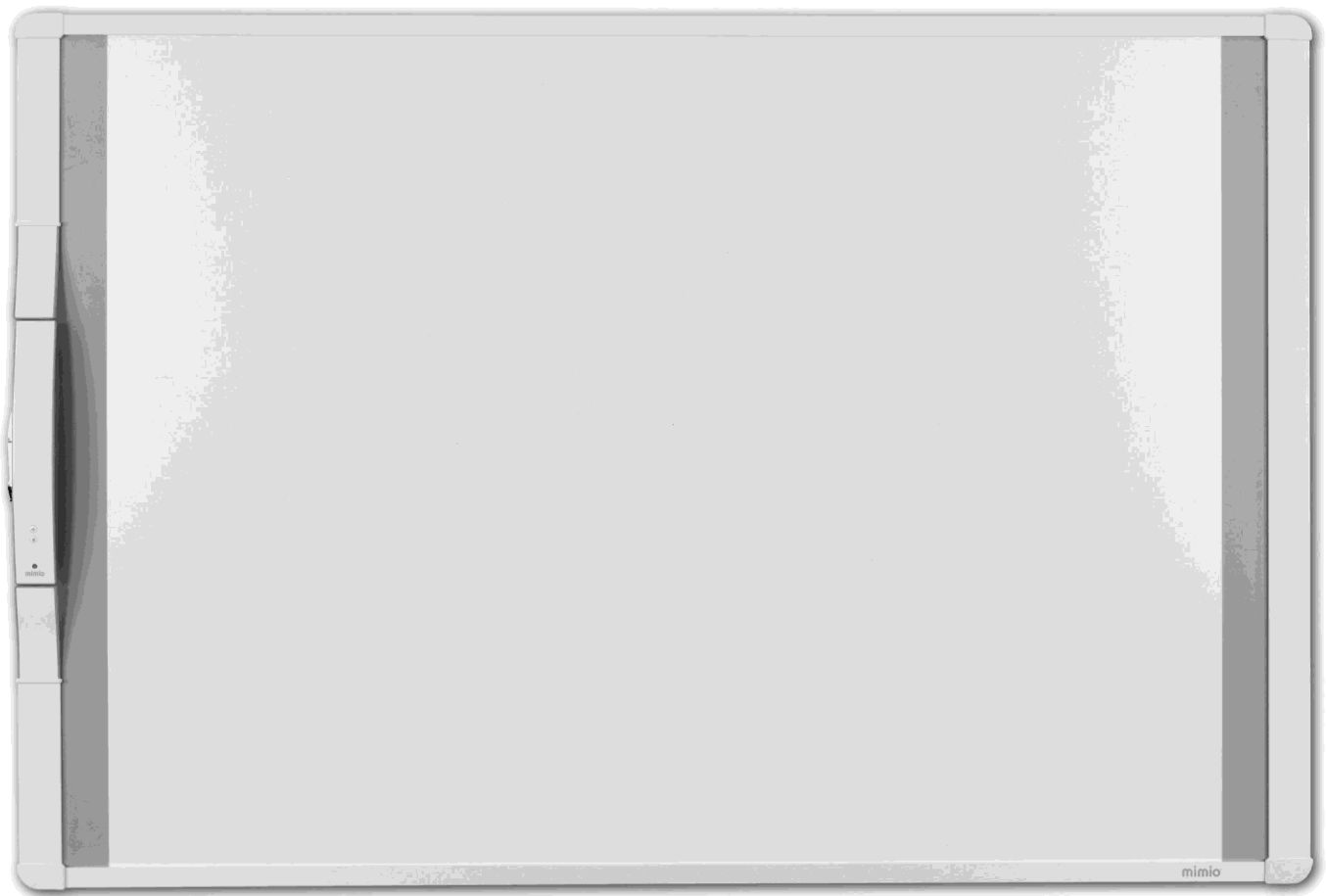
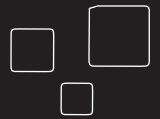


mimio®

MimioBoard ME-77
User Guide



To learn more, visit www.gkpglobalsolutions.com or call 1.855.653.7724

© 2013 Mimio. All rights reserved. Revised 7/18/2013.

No part of this document or the software may be reproduced or transmitted in any form or by any means or translated into another language without the prior written consent of Mimio.

Mimio, MimioClassroom, MimioTeach, MimioCapture, MimioVote, MimioView, MimioHub, MimioBoard, MimioPad, MimioMobile, MimioProjector, and MimioStudio are registered marks in the United States and other countries. All other trademarks are the property of their respective holders.

Contents

MimioBoard	1
What's Included.....	1
About MimioBoard.....	3
Status Lights.....	4
About MimioStudio.....	4
Getting Started	5
Setting Up MimioBoard.....	5
Installing MimioBoard.....	5
Connecting MimioBoard.....	11
Setting Up the Stylus.....	13
Setting Up Interactive Mode.....	13
Projecting Your Desktop.....	14
Calibrating Interactive Mode.....	14
Using MimioBoard	17
Using the Stylus.....	17
Using MimioStudio Tools.....	17
Caring for MimioBoard	19
Cleaning MimioBoard.....	19
Cleaning the MimioBoard Dry-Erase Surface.....	19
Cleaning the MimioBoard Frame and Stylus.....	19
Replacing the MimioTeach Bar.....	20
Technical and Environmental Information	21
Environmental Information.....	21
Safety Precautions for Lithium-Ion Rechargeable Batteries.....	21
Contacting Mimio.....	22
Documentation Feedback.....	22

This page intentionally left blank for double-sided printing.

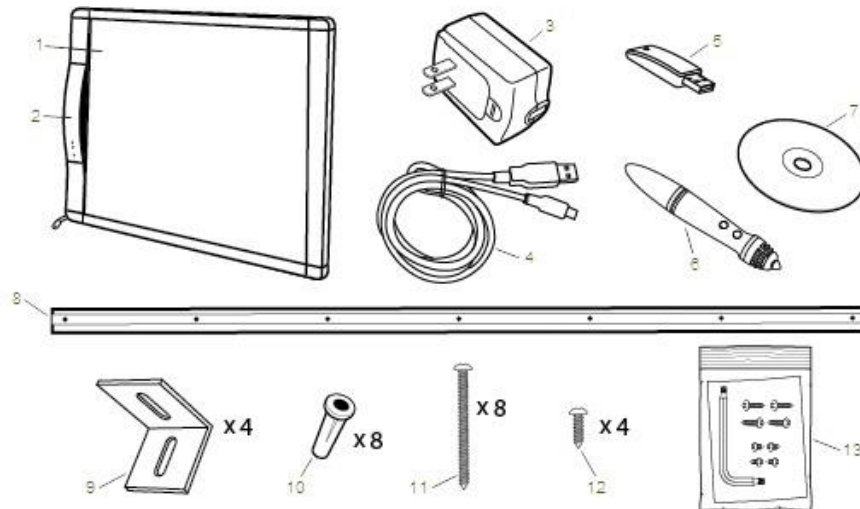
Chapter 1

MimioBoard

MimioBoard is a dry-erasable, interactive whiteboard system. The board includes an integrated MimioTeach bar, using MimioTeach technology to turn the MimioBoard surface into an interactive whiteboard. Using MimioBoard with a projector and MimioStudio classroom software, you can create and deliver lessons and presentations directly from your MimioBoard. Using the included stylus, you can control the movement of your computer cursor, much like you would with a mouse at your computer.

What's Included

The MimioBoard package contains the following items:



1	MimioBoard	8	Mounting bar
2	MimioTeach	9	L-brackets
3	USB power adapter	10	Drywall anchors
4	USB cable	11	#10x2½ in (M5x60mm) screws
5	MimioHub	12	#6x¾ in (M3x8.5mm) screws
6	Stylus	13	MimioTeach removal tools
7	MimioStudio DVD		

If you are missing any of the items above, contact Customer Support.

About MimioBoard

MimioBoard has a highly durable, magnetic, and erasable surface with heavy-duty gray strips to focus attention and make it easy to center your projection. MimioBoard interactive whiteboard is powered by the MimioTeach bar.

Two models of MimioBoard are available.

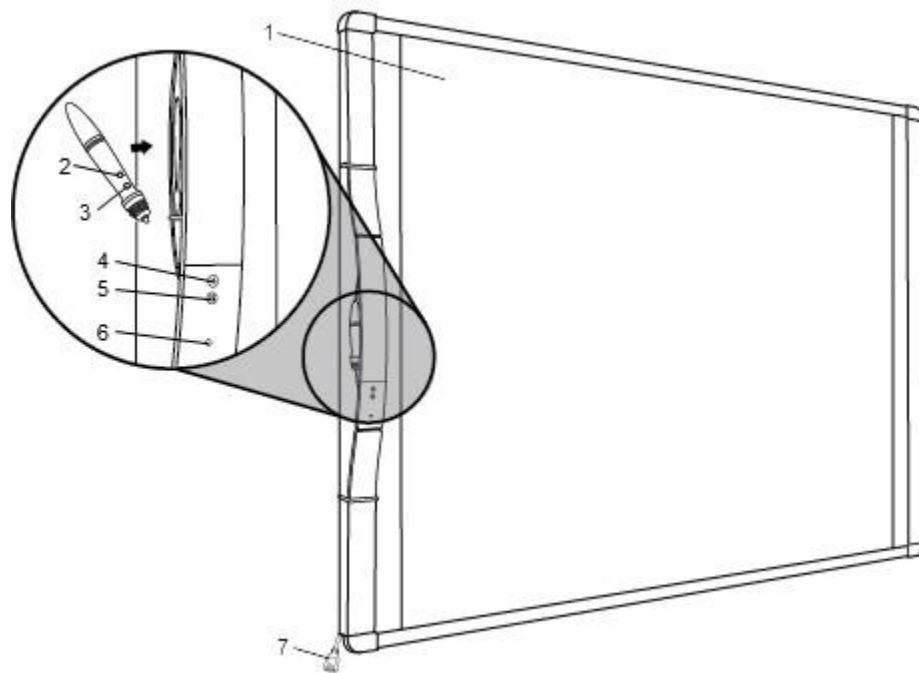
n **ME-77**

Aspect ratio: 4:3

Board size: 48.2 in x 71.2 in (1225 mm x 1809 mm)

Active view size: 45.9 in x 61.2 in (1167 mm x 1555 mm)

The following figure shows the major components of the MimioBoard.



1	Dry-erase, magnetic, projection surface	5	Calibrate Interactive mode
2	Tools (button B)	6	Power/Status light
3	Hover/Right-click (button A)	7	MimioBoard cable
4	Launch		

Status Lights

The status light visually shows the status of the MimioBoard.

Off	Not receiving power; USB/power cable is not connected or MimioBoard is turned off.
Solid Green	MimioBoard is connected and receiving power; MimioStudio software is running.
Flashing Green	MimioBoard is connected or connecting, and receiving power; MimioStudio software is not running.
Solid Amber	MimioBoard cannot find an available MimioHub.
Flashing Amber	MimioBoard is searching for an available MimioHub.

About MimioStudio

MimioStudio provides multiple authoring and editing tools for creating almost any type of content. You can use MimioStudio Notebook with MimioStudio Tools to create a variety of objects including text boxes, freehand writing and drawing, lines, arrows, and many basic shapes. Images can be imported into a Notebook, both as objects and as background images. See Using MimioStudio Tools for information about using MimioStudio software.

Chapter 2

Getting Started

Review the following topics to install and start using your MimioBoard.

- n Setting Up MimioBoard
- n Setting Up the Stylus
- n Setting Up Interactive Mode

Setting Up MimioBoard

MimioBoard mounts securely to the wall using the included hardware.


 Two people are required to safely lift and install your MimioBoard.

Review the following topics for information about installing and connecting your MimioBoard.

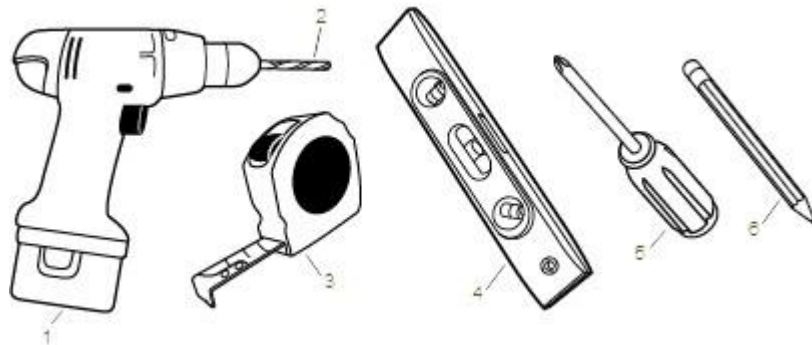
- n Installing MimioBoard
- n Connecting MimioBoard

Installing MimioBoard

Only a qualified technician should install MimioBoard. The technician must be familiar with the structure of the room and the procedures for mounting objects to the wall.

 Two people are required to safely lift and install MimioBoard.

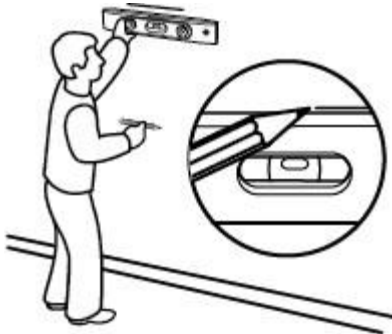
To mount your MimioBoard to the wall, you will need the included hardware along with the following tools.



1	Drill	4	Level
2	¼ in (6.35 mm) drill bit	5	Screwdriver
3	Tape measure	6	Pencil

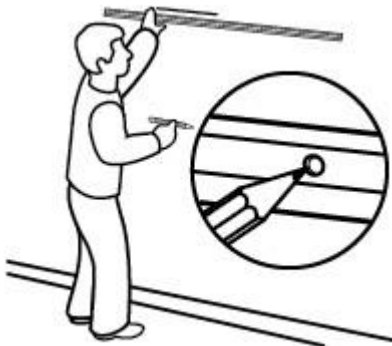
To install MimioBoard

1. Make a mark on the wall at the height you want the top of the MimioBoard to be located.
2. Using a level, draw a horizontal line starting at the mark.

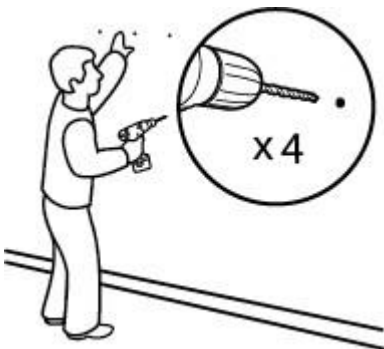


3. Align the mounting bar with the horizontal line and make a mark on the wall in the center of four of the holes in the mounting bar.


⚠ The mounting bar must be securely attached to studs or other solid support. The mounting bar supports the full weight of the MimioBoard. Extra care must be taken to ensure that the full weight of the board can be supported.

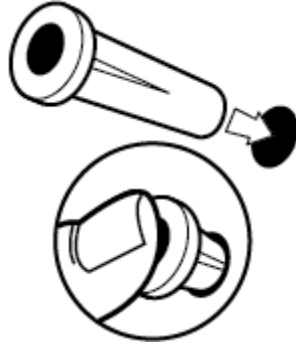


4. Drill a hole at each mark using a 1/4 in (6.35 mm) drill bit.

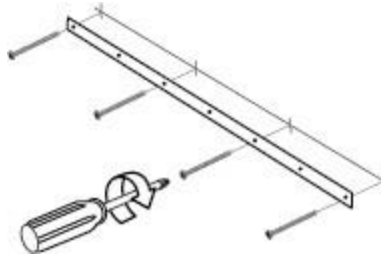


5. Insert a drywall anchor into each of the four holes so that each anchor is flush with the surface of the wall.

 The included anchors are for use with drywall only. For concrete walls, use concrete anchors (not included).

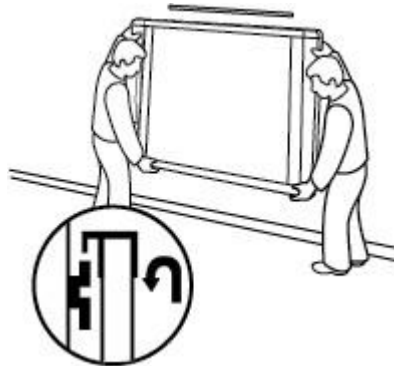


6. Place the mounting bar against the wall so that the holes in the bar align with the four drywall anchors.
7. Using a screw driver and four #10x2½ in (M5x60mm) screws, securely fasten the mounting bar to the wall.



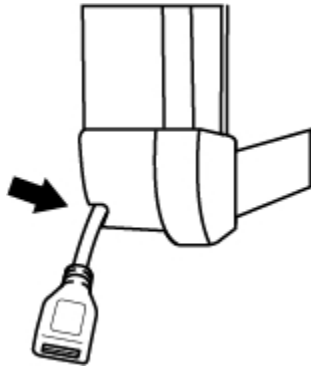
8. Hang the MimioBoard from the mounting bar.

 Two people are required to safely lift and position the MimioBoard.



9. Ensure that the MimioBoard is securely attached to the wall and that all screws and anchors are stable.

10. Make sure the MimioBoard cable goes through the cable channel and that the MimioBoard is flush against the wall.




11. Locate the two holes on the bottom of the MimioBoard and do the following for each of the two holes:
 - a. Align the slot in the L-bracket with the hole on the bottom of the MimioBoard.
 - b. Make a mark on the wall in the center of the slot in the L-bracket that is touching the wall.

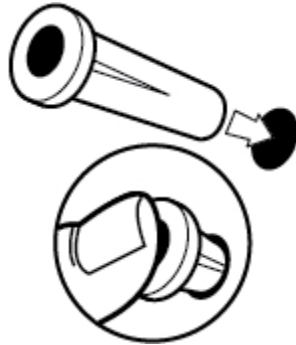


12. Remove the L-brackets and drill a hole at each mark using a ¼ in (6.35 mm) drill bit.

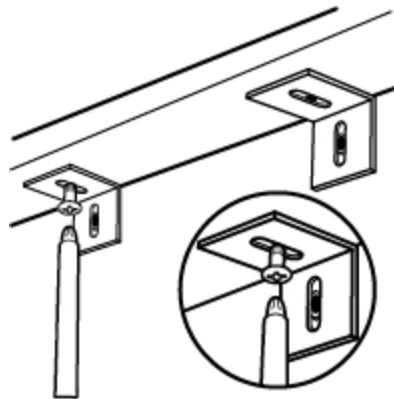


13. Insert a drywall anchor into each of the two holes so that each anchor is flush with the surface of the wall.

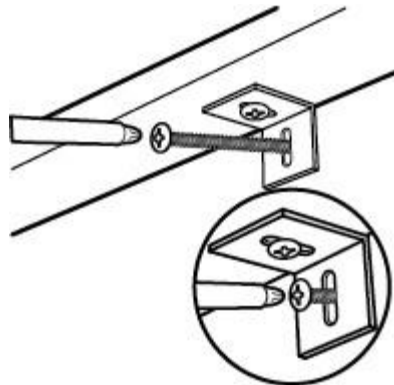
 The included anchors are for use with drywall only. For concrete walls, use concrete anchors (not included).



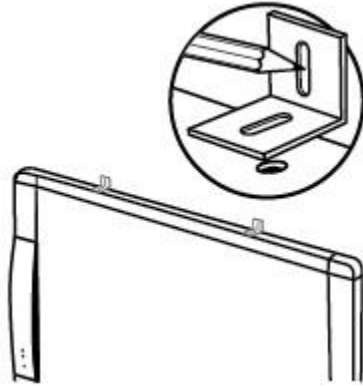
14. For each of the brackets, do the following:
 - a. Align the slot in the bracket with the hole on the bottom of the MimioBoard and the drywall anchor.
 - b. Using a screw driver and an #6x $\frac{3}{8}$ in (M3x8.5mm) screw, securely fasten the bracket to the bottom of the MimioBoard.



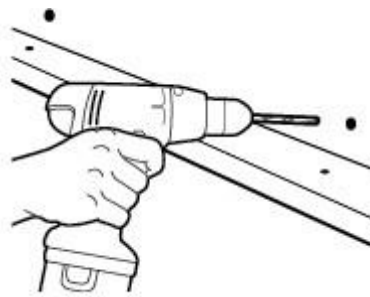
- c. Using a screw driver and a #10x $2\frac{1}{2}$ in (M5x60mm) screw, securely fasten each bracket to the wall.




15. Locate the two holes on the top of the MimioBoard and do the following for each of the two holes:
 - a. Align the slot in the L-bracket with the hole on the top of the MimioBoard.
 - b. Make a mark on the wall in the center of the slot in the L-bracket that is touching the wall.

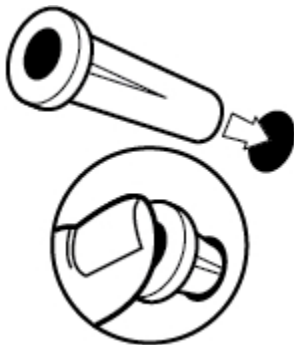


16. Remove the L-brackets and drill a hole at each mark using a ¼ in (6.35 mm) drill bit.

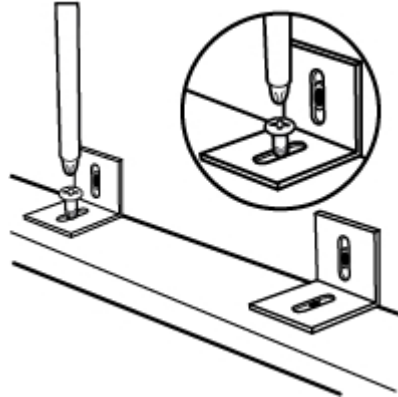


17. Insert a drywall anchor into each of the two holes so that each anchor is flush with the surface of the wall.

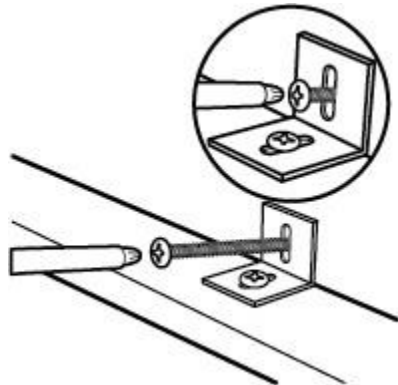
 The included anchors are for use with drywall only. For concrete walls, use concrete anchors (not included).



18. For each of the brackets, do the following:
- Align the slot in the bracket with the hole on the top of the MimioBoard and the drywall anchor.
 - Using a screw driver and an #6x $\frac{3}{8}$ in (M3x8.5mm) screw, securely fasten the bracket to the top of the MimioBoard.



- Using a screw driver and a #10x2 $\frac{1}{2}$ in (M5x60mm) screw, securely fasten each bracket to the wall.



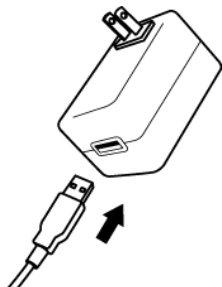
Connecting MimioBoard

MimioBoard is powered using the included USB cable and power adapter.

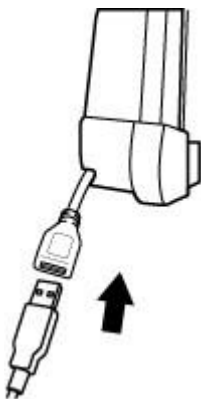
Your MimioBoard comes pre-linked to the included MimioHub. You can also use this MimioHub to connect other MimioClassroom devices to your computer, such as MimioVote.

To set up the MimioBoard

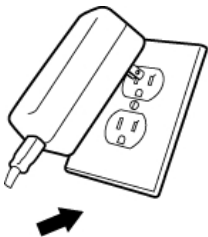
1. Plug the USB cable into the USB port on the power adapter.



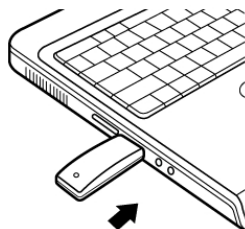
2. Plug the other end of the USB cable into the MimioBoard cable.




3. Plug the power adapter into a power outlet.



4. Plug the MimioHub into an available USB port on your computer.



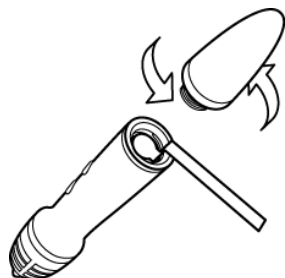
 If you do not want to connect your MimioBoard to your computer wirelessly, you can link the board to your computer using the included USB cable without the power adapter. MimioBoard will be powered by USB through your computer.

Setting Up the Stylus

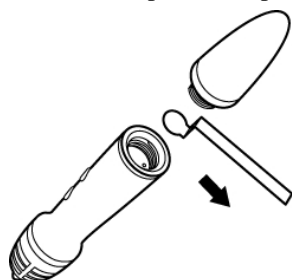
The stylus is powered by a rechargeable lithium-ion battery. The battery recharges whenever the stylus is docked on the MimioBoard.

To set up the stylus

1. Turn the top of the stylus counter-clockwise to separate the top from the body of the stylus.



2. Remove the plastic strip from the stylus.



3. Replace the top onto the body of the stylus and turn clockwise to attach.



Setting Up Interactive Mode

Using MimioStudio Interactive mode, you can create and deliver lessons and presentations directly from your MimioBoard.

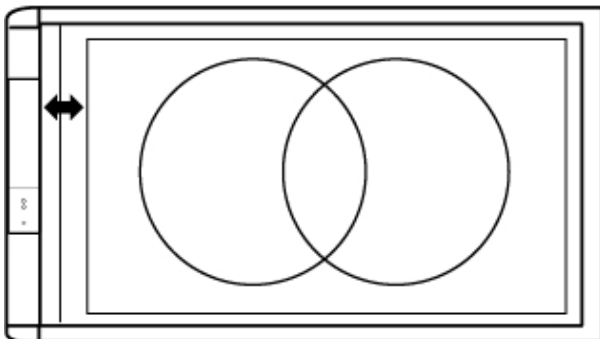
To use Interactive mode you need a projector, a MimioBoard, and a stylus. Combined, these devices make for a powerful tool for creating and delivering lessons and presentations.

Projecting Your Desktop

If you are presenting from a MimioStudio Notebook or another application, such as a PowerPoint presentation, you can open the application before or after Interactive mode is enabled and calibrated.



To start Interactive mode

1. Project your desktop image onto your MimioBoard surface.
Refer to your projector's documentation for instructions on how to project your desktop image.



2. Click the stylus anywhere on the MimioBoard surface.
Interactive mode starts and the calibration screen appears.



To exit Interactive mode

- ▶ Do one of the following:
 - Press the **Interactive** button, , twice on the MimioBoard.
 - Start MimioStudio Tools, click **Interactive** , and then click **Exit**.
 - Start MimioStudio Settings, select **Interactive**, and then click **Disable**.

Calibrating Interactive Mode

Each time Interactive mode is enabled, you are prompted to calibrate using the stylus. When using MimioBoard with a permanently installed projector, you do not need to recalibrate Interactive mode after the first session.

To calibrate Interactive mode

1. If the calibration screen does not appear when you start Interactive mode, do one of the following:
 - Press the **Interactive** button, , on your MimioBoard.
 - Start MimioStudio Tools, click the **Interactive** button, , and then click **Recalibrate**.
 - Start MimioStudio Settings, select **Interactive**, and then click **Calibrate**.
2. Press the stylus down on the MimioBoard surface at the center of each of the nine calibration targets.
Make sure to hold the stylus perpendicular to the writing surface as you click.

The calibration target disappears and the next calibration target appears.
When the calibration screen disappears, Interactive mode is enabled.

This page intentionally left blank for double-sided printing.

Using MimioBoard

You can use the MimioBoard and stylus in MimioStudio Interactive mode to create and deliver lessons and presentations. In MimioStudio Interactive mode, you control the movement of the cursor on your screen with the stylus, much like you would with a mouse at your computer.

You can also use the various presentation tools found in MimioStudio Tools to focus your audience on a specific area of the screen by displaying only certain parts of the screen. And, you can annotate the screen with the drawing tools available in MimioStudio Tools using the Screen Annotation feature.

Using the Stylus

In Interactive mode, the stylus can be used to control your desktop and interact with applications on your computer from your MimioBoard.

The following table describes how to use the stylus to control your desktop from the MimioBoard.

To execute	Do this
Left mouse click	Click in the projected area at the desired location with the tip of the stylus.
Double left mouse click	Quickly click twice in the projected area at the desired location with the tip of the stylus.
Right mouse click	Press the B button on the stylus, and then click in the projected area at the desired location with the tip of the stylus.
Hover	<ol style="list-style-type: none">1. Hold the stylus at the desired location, staying as close to the MimioBoard surface as possible without touching it.2. Press the B button on the stylus.3. Move the stylus to the desired location.4. Release the B button on the stylus.













Using MimioStudio Tools

With the various presentation tools found in MimioStudio Tools you can focus your audience on a specific area of the screen by displaying only certain parts of the screen. You can also annotate the screen with the drawing tools available in MimioStudio Tools using the Screen Annotation feature.

The following table describes the major components of MimioStudio Tools.

	Selection tool		Zoom
	Pen		Brush
	Text		Highlighter
	Line		Arrow End
	Arrow Start		Arrow Both
	Rectangle		Ellipse
	Triangle		Right Triangle
	Five Pointed Star		Hexagon
	Pentagon		Shape Recognition
	Eraser		Insert file
	Screen clipping		Color picker
	More colors		Object Fill
	Outline and Fill color		Thickness slider
	Color palette		Solid Line
	Dash Line		Square Dot Line
	Transparency		Gallery
	Applications (see below)		Right-click
	Interactive		Mouse
	Screen Annotation		

From the Applications tool, you can access the following:

- | | | | |
|--|---|--|---|
|  Reveal |  Class Manager |  Quick Vote |  Calculator |
|  Spotlight |  Control |  Recorder |  Magnify |
|  Text Tools |  Quick Collaborate |  View |  Web Browser |

Caring for MimioBoard

Properly maintaining the MimioBoard surface will keep your board looking like new and never compromise performance.

Cleaning MimioBoard

MimioBoard is designed to give you long and trouble-free service while requiring very little maintenance.

Solvent-based dry-erase markers, rather than water-based or low-odor dry-erase markers, are recommended for use with MimioBoard. Low-odor markers take longer to dry and the ink clings more aggressively to the surface, leaving behind a residue.

Cleaning the MimioBoard Dry-Erase Surface

If the MimioBoard is used daily, cleaning should be performed two to three times per week. Repeated cleaning may be required for writing left on the board for more than two days.

You can easily clean the dry-erase surface using the following items:

- n Whiteboard eraser
- n Liquid whiteboard cleaner
- n Lint-free cloth


To clean the dry-erase surface

1. Using the eraser, clear all writing from the dry-erase surface.
2. Wipe the surface with a clean cloth moistened with liquid whiteboard cleanser.
3. Rinse the surface with warm, clear water to remove any cleanser residue.
4. Dry the surface with a clean, lint-free cloth.

Cleaning the MimioBoard Frame and Stylus


You can easily clean the frame of the MimioBoard and the stylus using the following items:

- n Lint-free cloth.
- n Isopropyl alcohol, diluted dishwashing detergent, or diluted glass cleaner.


 If you use glass cleaner, make sure it does not contain ammonia.

To clean the MimioBoard components and frame

1. Disconnect the USB cable from the MimioBoard cable.
2. Use the lint-free cloth to wipe the MimioBoard frame.

3. Remove dirt and smudges with one of the cleaning solutions mentioned above.
 -  Avoid using liquids on any exposed charging contacts. Do not allow liquid into any openings on the equipment.
4. Reconnect the USB cable.

To clean the stylus

1. Use the lint-free cloth to wipe the exterior of the stylus.
2. Remove dirt and smudges with one of the cleaning solutions mentioned above.
 -  Avoid using liquids on any exposed charging contacts. Do not allow liquid into any openings on the equipment.

Replacing the MimioTeach Bar

If necessary, you can remove the integrated MimioTeach bar from the MimioBoard and replace with a new MimioTeach bar.

You will need the included MimioTeach replacement tools and a screwdriver.

To remove the MimioTeach bar

1. Remove the MimioBoard frame pieces from above and below the MimioTeach bar.
2. Unplug the cable from the MimioTeach bar.
3. Using the included allen wrench, do the following:
 - a. Remove the screw below the MimioTeach bar.
 - b. Remove the screw above the MimioTeach bar.
4. Remove the MimioTeach bar from the MimioBoard.

There are two metal plates on the back of the MimioTeach bar.
5. Using a screw driver, remove the two screws that hold each of the metal plates in place.
6. Remove the metal plates from the MimioTeach bar.

To replace the MimioTeach bar

1. Place the metal plates against the back of the MimioTeach bar.

Make sure that the recess on each plate is inserted into the recess on the back of the MimioTeach bar.
2. Using a screw driver and two screws per plate, attach the plates to the MimioTeach bar.
3. Plug the MimioBoard cable into the MimioTeach bar.
4. Place the MimioTeach bar on the MimioBoard.
5. Using the included allen wrench, do the following:
 - a. Insert one screw in the hole above the MimioTeach bar.
 - b. Insert one screw in the hole below the MimioTeach bar.
6. Replace the MimioBoard frame pieces above and below the MimioTeach bar.

Chapter 5

Technical and Environmental Information

This chapter contains technical information for the MimioClassroom products.

For product specifications and compliance information, visit the Documentation section of the Support area of our Web site at www.mimio.com.

Environmental Information

The equipment that you bought has required the extraction and use of natural resources for its production. It may contain hazardous substances for the health and the environment.

In order to avoid the dissemination of those substances in our environment and to diminish the pressure on the natural resources, we encourage you to use the appropriate take-back systems.

Those systems will reuse or recycle most of the materials of your end life equipment in a sound way.

The crossed-bin symbol marked in your device invites you to use those systems.



If you need more information on the collection, reuse and recycling systems, please contact your local or regional waste administration.

You can also contact Mimio for more information on the environmental performances of our products.

Safety Precautions for Lithium-Ion Rechargeable Batteries

Inaccurate handling of a Lithium-ion rechargeable battery may cause leakage, heat, smoke, an explosion, or fire. This could cause deterioration of performance or failure. This may also damage the protection device installed in the battery pack. This could damage equipment or injure users. Thoroughly follow the instructions below.

While Charging



Danger

- | When charging the battery, use dedicated chargers and follow the specified conditions.
- | Do not connect directly to an electric outlet or cigarette lighter charger.
- | Do not use or store battery close to fire or inside the car where temperature may be over 60°C.



Warning

- | Stop charging the battery if charging is not completed within the specified time.



Caution

- | Thoroughly read this user guide before charging the battery.
- | Do not charge in a place that generates static electricity.
- | Battery can only be charged within 0°C~45°C temperature range.

When Discharging the Battery



Danger

- | Use the battery only in the specified equipment.
- | Do not use or store battery close to fire or inside the car where temperature may be over 60°C.



Caution

- | Do not charge in a place that generates static electricity.
- | Battery can only be used within -20°C~60°C temperature range.

Contacting Mimio

Mimio maintains an Internet Web site that offers support for MimioClassroom products. In addition, Mimio's Technical Support department is available by phone.

Web site: www.mimio.com

Phone: (877) 846-3721

Visit the Support section of our Web site at www.mimio.com to contact us by email.

Documentation Feedback

We are constantly working to produce the highest quality documentation for our products. We welcome your feedback. Send us your comments or suggestions about our online Help, printed, or PDF manuals.

Please include the following information with your feedback:

- n Product name and version number
- n Type of document: printed manual, PDF, or online Help
- n Topic title (for online Help) or page number (for printed or PDF manuals)

- Brief description of content (for example, step-by-step instructions that are inaccurate, information that requires clarification, areas where more detail is needed, and so on)
- Suggestions for how to correct or improve the documentation

We also welcome your suggestions for additional topics you would like to see covered in the documentation.

Send email feedback to:

documentation@mimio.com

Please keep in mind that this email address is only for documentation feedback. If you have a technical question, please contact Customer Service.

This page intentionally left blank for double-sided printing.